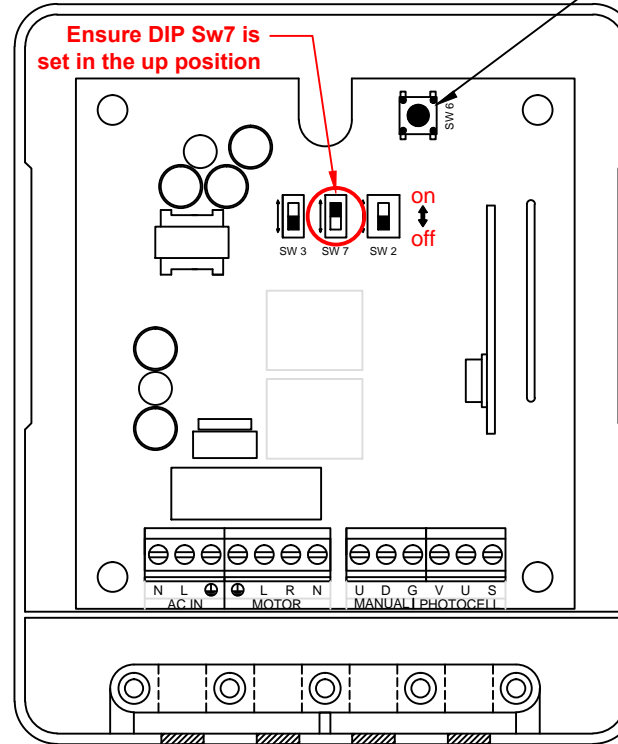


On	SW 2	Reverse Direction of Lid Buttons
	SW 3	Reverse Direction of Motor
Off	SW 6	Transmitter Program Button
	SW 7	On = Impulse Up / Deadman Down
		Off = Impulse Up / Down



Specification	
Power Supply	200 - 240V AC, 50Hz
Operating Temp	-10 to + 55°C
Frequency	433MHz
Max Transmitters	100
Transmitter Distance	>30m
Max Power	500W

Transmitter Programming

- Press program button SW6 until GREEN LED starts to flash then release
- Press **UP** button on transmitter device GREEN LED flashes quickly then goes out

Transmitter Button Lock Feature

To prevent accidental operation the transmitter comes with a programmable locking feature

To lock the transmitter buttons, press and hold the transmitter stop button for 7 seconds until the blue indicator illuminates

Should the transmitter fail operate it may already be locked

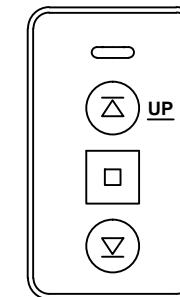
To check this, press and hold the transmitter stop button for 7 seconds the blue indicator will illuminate
Retry the open and close button

Transmitter Battery Replacement Access

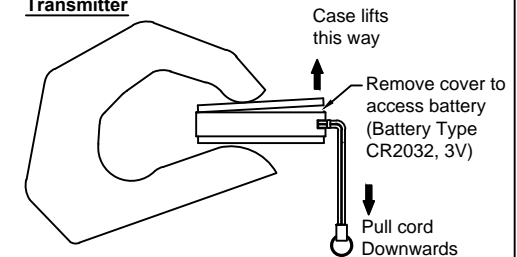
Replacing Battery

- Hold the transmitter by placing forefinger on the stop button and the thumb underneath (the cord must be facing towards you)
- While holding firmly holding the transmitter, pull the cord downwards
- The case will separate allowing access to the battery

Standard Transmitter supplied with unit



Battery Replacement - Standard Transmitter



This drawing is the property of ELLARD LTD, it may not be reproduced without the written authorization of Ellard Limited. All intellectual property rights are expressly reserved



Roundthorne Industrial Estate
Ellard House, Floats Road
Wythenshawe, Manchester
M23 9WB
Tel: 0161 945 4561, e-mail: technical@ellard.co.uk

Title

GENERAL DETAIL, CONNECTION
AND SET UP (STANDARD (230V) VERSION
(Page 1 of 2)

Rev/Notes

Date 25/03/2022

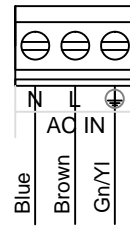
Drawn by DE Chk'd by AP

Drg # Genesis - Set Up (Standard Version)
INSTRUCTION

Terminal Connections

<i>Mains Supply</i>	
N	Mains Power 230v AC (Neutral)
L	Mains Power 230v AC (Live)
⊕	Mains Power (Earth)
<i>Motor</i>	
⊕	Motor Earth
L	Motor Direction (230V)
R	Motor Direction (230V)
N	Motor Common (N)
<i>Manual</i>	
U	External connection - Open
D	External connection - Close
<i>Photocell</i>	
G	0V / Switch Common / Photocell Common
V	+24v dc
U	Photocell connection - N/C contact
S	External connection - Stop

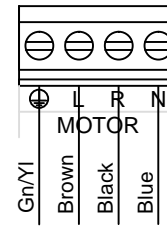
Mains Supply Connection



Recommended Power Supply Protection:-
13A fused Spur or Single Pole MCB Type 'A'

Mains Supply
 230v AC 50Hz

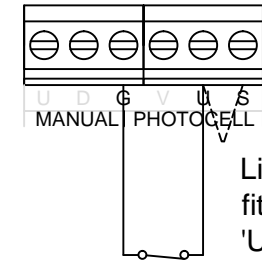
230v Tube Motor Connection



Note
 This connection will supply **230v AC** and is specifically for tube motor operation

Tube Motor
 230v AC 50Hz

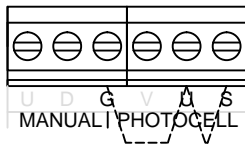
Basic Remote Control Operation With Safety Brake



Link must be fitted between: 'U' - S as shown

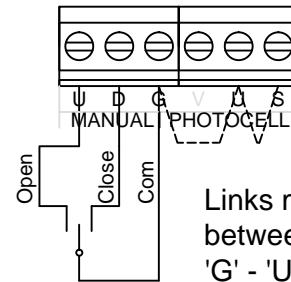
Safety Brake (N/C) Switch Connection

Basic Remote Control Operation



Links must be fitted between: 'G' - 'U' - S as shown

Ext Key-Switch Connection

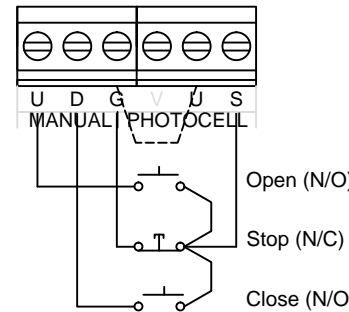


Fit link between 'G' and 'S'

Links must be fitted between: 'G' - 'U' - S as shown

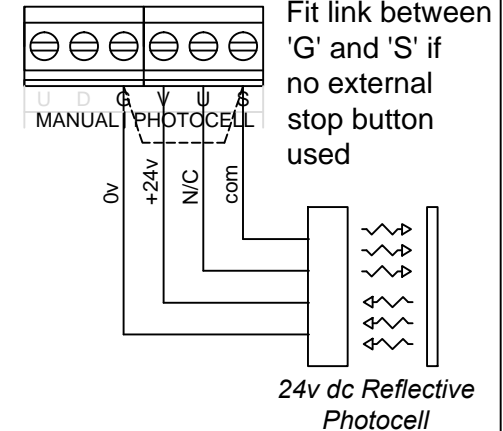
External Key Switch Connection

Ext Push Button Connection



External Key Push Button Connection

24v DC Photocell Connection



Fit link between 'G' and 'S' if no external stop button used

24v dc Reflective Photocell

This drawing is the property of ELLARD LTD, it may not be reproduced without the written authorization of Ellard Limited. All intellectual property rights are expressly reserved



Roundthorne Industrial Estate
 Ellard House, Floats Road
 Wythenshawe, Manchester
 M23 9WB
 Tel: 0161 945 4561, e-mail: technical@ellard.co.uk

Title

**GENERAL DETAIL, CONNECTION
 AND SET UP - STANDARD (230V) VERSION**
 (Page 2 of 2)

Rev/Notes

Date 25/03/2022

Drawn by DE Chk'd by AP

Drg # Genesis - Set Up (Standard Version)
 INSTRUCTION